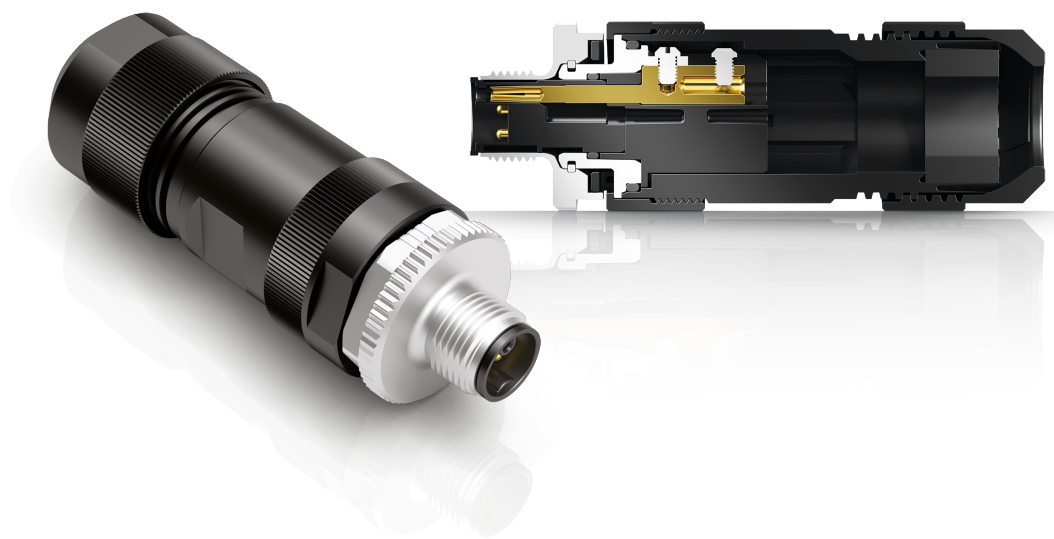


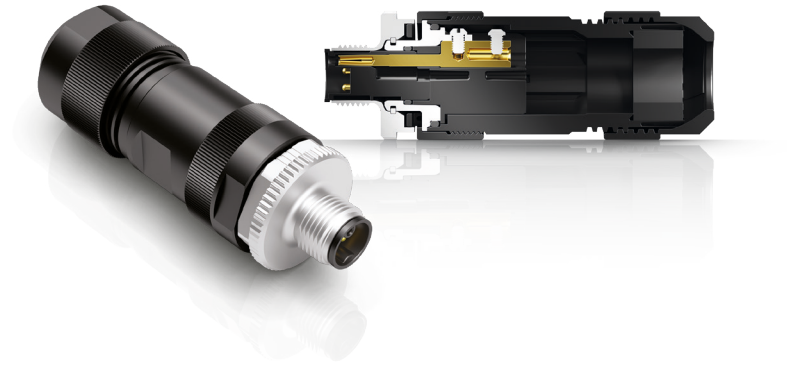
M12 POWER

K- and L-coded
cable connectors
acc. to UL 2237



M12-K/-L

Series	824, 823
Contacts	4+PE, 4+FE
Coding	K, L
Thread	M12 x 1
Rated current	12 A, 16 A
Rated voltage	630 V AC, 63 V DC
Degree of protection	IP67
Contact plating	Au (gold)



824/823 Series · M12 K- & L-coded cable connectors acc. to UL 2237

- Screw clamp connection
- Cable outlet up to 13 mm
- PE connection to the threaded ring
- UL 2237 in preparation
- K-coded: 4+PE, current 12 A, voltage 630 V AC
- L-coded: 4+FE, current 16 A, voltage 63 V DC
- Available from now on (without UL)

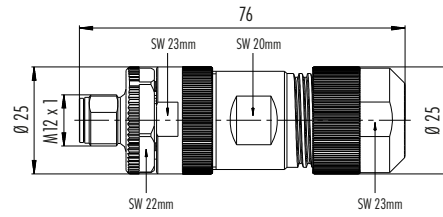


Description

Male cable connector with **K-Coding**, screw clamp connection, Power

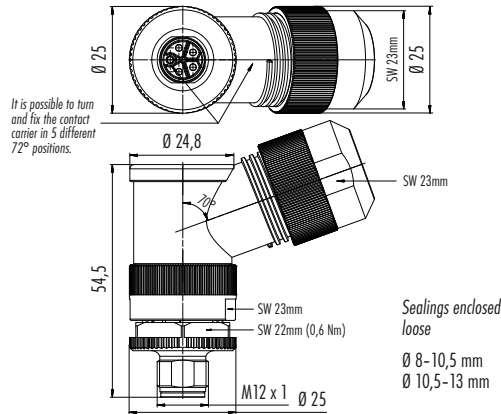


Drawing



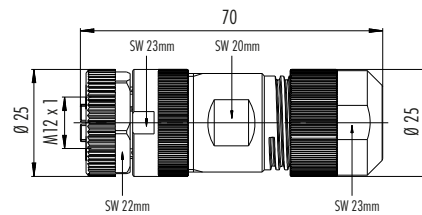
Contacts	Coding	Cable outlet	Ordering-No.
4+PE	K	8-13 mm	99 0699 37 05

Male angled connector with **K-Coding**, screw clamp connection, Power



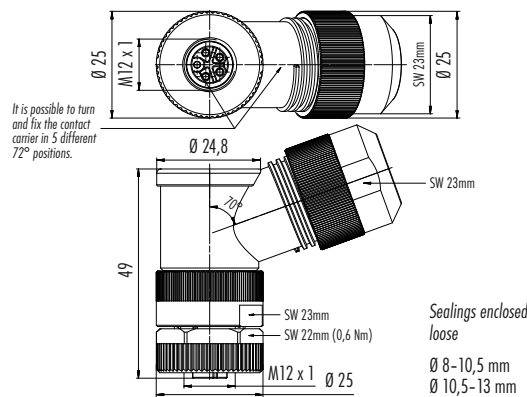
4+PE	K	8-13 mm	99 0699 37 05
------	---	---------	---------------

Female cable connector with **K-Coding**, screw clamp connection, Power



4+PE	K	8-13 mm	99 0700 37 05
------	---	---------	---------------

Female angled connector with **K-Coding**, screw clamp connection, Power



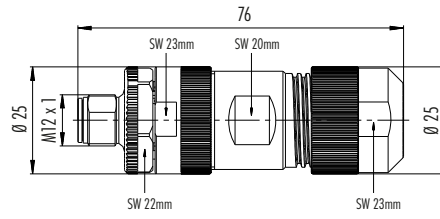
4+PE	K	8-13 mm	99 0700 37 05
------	---	---------	---------------

Description

Male cable connector with **L-Coding**, screw clamp connection, Power



Drawing



Contacts

4+FE

Coding

L

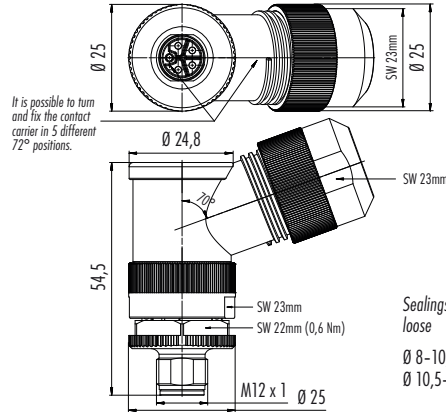
Cable outlet

8-13 mm

Ordering-No.

99 0639 370 05

Male angled connector with **L-Coding**, screw clamp connection, Power



4+FE

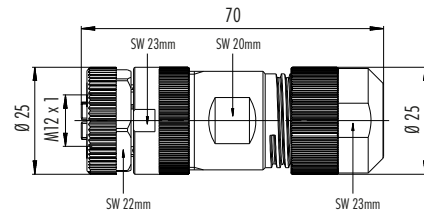
L

8-13 mm

99 0639 370 05

Sealings enclosed loose
Ø 8-10,5 mm
Ø 10,5-13 mm

Female cable connector with **L-Coding**, screw clamp connection, Power



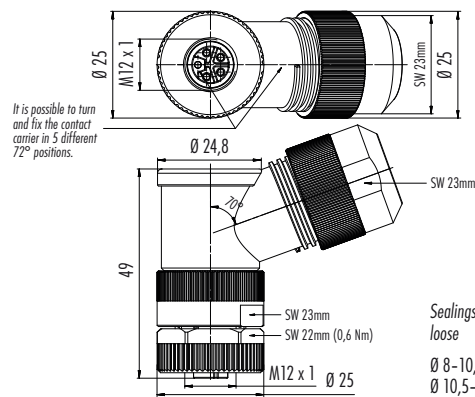
4+FE

L

8-13 mm

99 0640 370 05

Female angled connector with **L-Coding**, screw clamp connection, Power



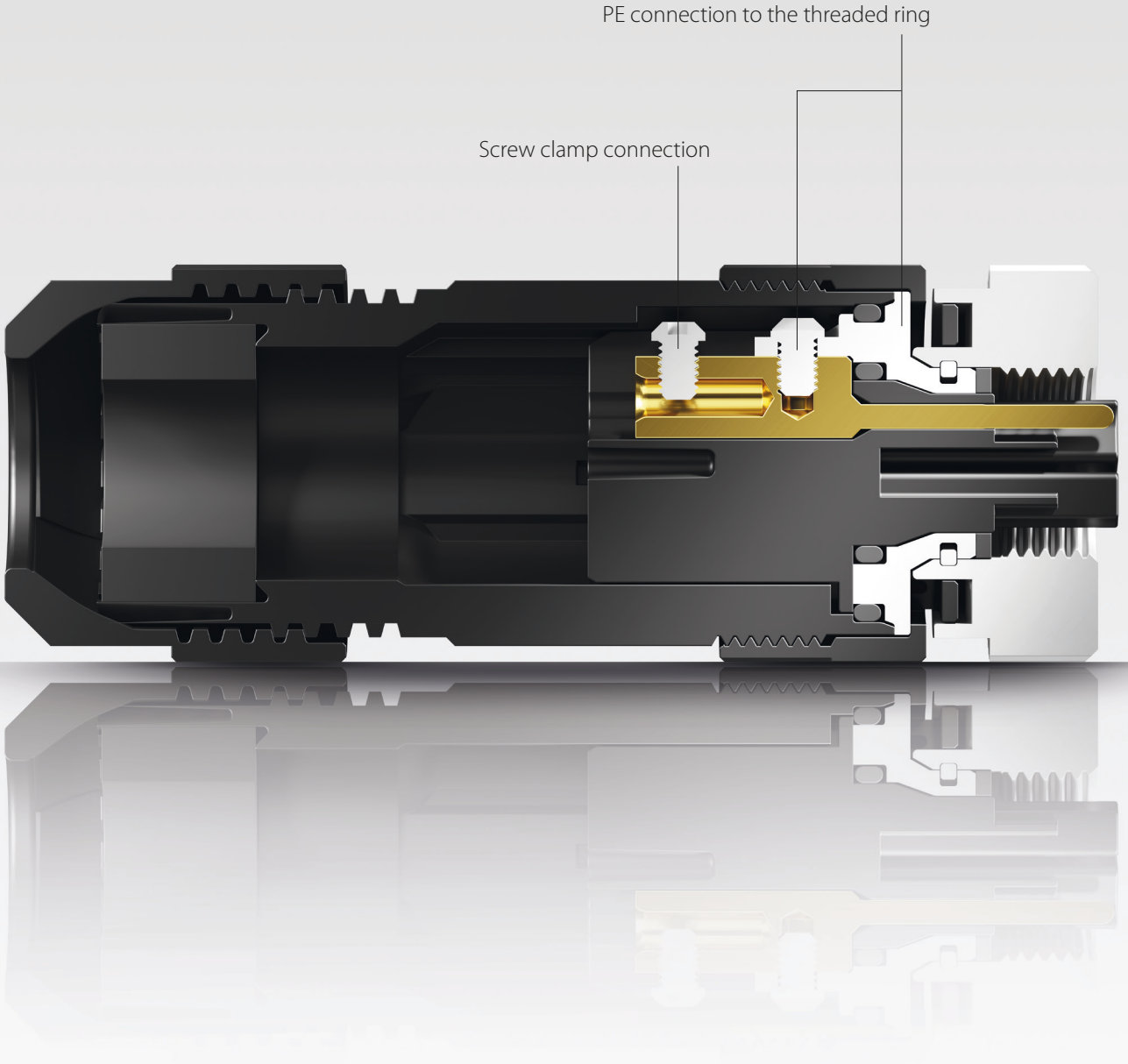
4+FE

L

8-13 mm

99 0640 370 05

Sealings enclosed loose
Ø 8-10,5 mm
Ø 10,5-13 mm



PE connection to the threaded ring

Screw clamp connection